

SA600 SERIES**Product Description:**

SA606 / 612 / 624 series is a high-performance audio amplifier designed for commercial and industrial public address applications. It features a standard mount design, rated power for 60W / 120W / 240W to provide a wide selection for different sound systems. Both balanced and unbalanced line inputs are selectable, output terminal can be chosen from 100V and 4-16 ohms to suit different speaker installations. Complete protection features including short circuit, overload, and over heat automatic protection.

Technical Specifications:

Model:	SA606 / SA612 / SA624
Power Requirement:	220-230V AC or 240V AC, 50/60Hz
Rated Output:	60W / 120W / 240W
Distortion:	Less than 1% at 1kHz
Frequency Response:	50Hz to 20 kHz (± 3 dB)
Tone control	Bass: ± 10 dB at 100Hz / Treble: ± 10 dB at 10KHz
Outputs:	
○ Recording outputs:	0dB 600 Ω , unbalanced, RCA pin Jack
○ Line Outputs:	0dB 600 Ω , unbalanced, RCA pin Jack
○ Speaker Outputs:	High Impedance: 100V screw terminal Low Impedance: 4-16 Ω screw terminal

Inputs:

- MIC1-5: -60dB, 600Ω electronically-balanced, combine type of XLR-3-31 equivalent and phone jack
- AUX 1: -20dB, 600Ω electronically-balanced, combine type of XLR-3-31 equivalent and phone jack
- AUX 2-3: -20dB, 10kΩ unbalanced RCA pin jack

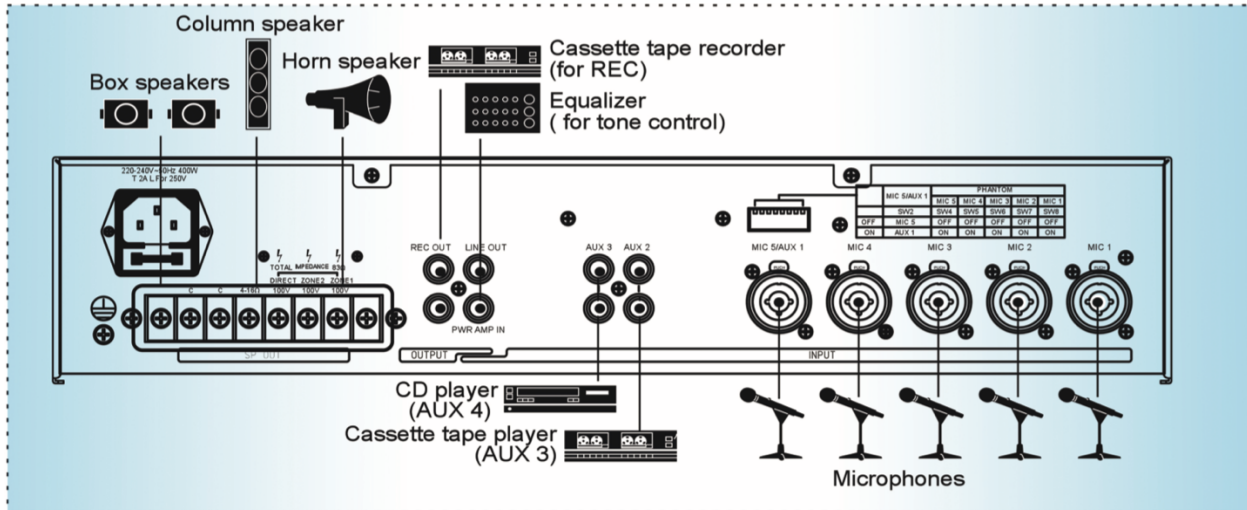
Operating Temperature: -10°C to +40°C

Color: Black

Dimensions (W*H*D): 420mm x 109mm x 357mm

Weight: 9.4kg / 12.6kg / 13.5kg

Connectors:



Application:

In airports, stations, coffee shop, markets, schools, parks, and other places.