

AA35 SERIES

Product Description:

AA 15 / 35 / 60 series are a high-performance audio amplifier series designed for commercial and industrial public address applications. They feature a standard mount design, rated power of 15W/30W/60W respectively to provide a wide selection for different sound system. Both balanced and unbalanced line inputs are selectable, 25v, 70v and 8 ohms are selectable for different speaker installation matching. Complete safety protection includes short circuit, overload and overheat automatic protection

Technical Specifications:

Model:	AA15 / AA35 / AA60
Power Requirement:	110~125V AC or 220~230V AC, 50/60Hz
Rated Output:	15W / 35W / 60W
Distortion:	Less than 1% at 1kHz
Frequency Response:	50~20,000Hz (± 3 dB)
Tone Control:	Bass: ± 10 dB at 100Hz / Treble: ± 10 dB at 10KHz
Outputs:	
○ Pre-out	0dB, 600 Ω Unbalanced, RCA pin jack
○ Line 1,2	0dB, 600 Ω Unbalanced, RCA pin jack
○ Speaker	
Selection Outputs	Zone 2: 8 Ω at 1.5 Watts & 600 Ω line level at 1.5V
○ Direct Out	High Impedance: 70V, 25V screw terminal Low Impedance: 8 Ω screw terminal

Inputs:

- Input 1 Mic 0.316 ~ 3.16mV (-50 ~ -30dBV) balanced Phenix Input
- Input 1 Line/Tel 316mV (-10dBV) 10kΩ (optional 600Ω transformer available) balanced Phenix
- Aux 1 316mV (10dBV) 10kΩ Unbalanced RCA Summing Line Level
- Aux 2 316mV (10dBV) 10kΩ Unbalanced RCA Summing Line Level

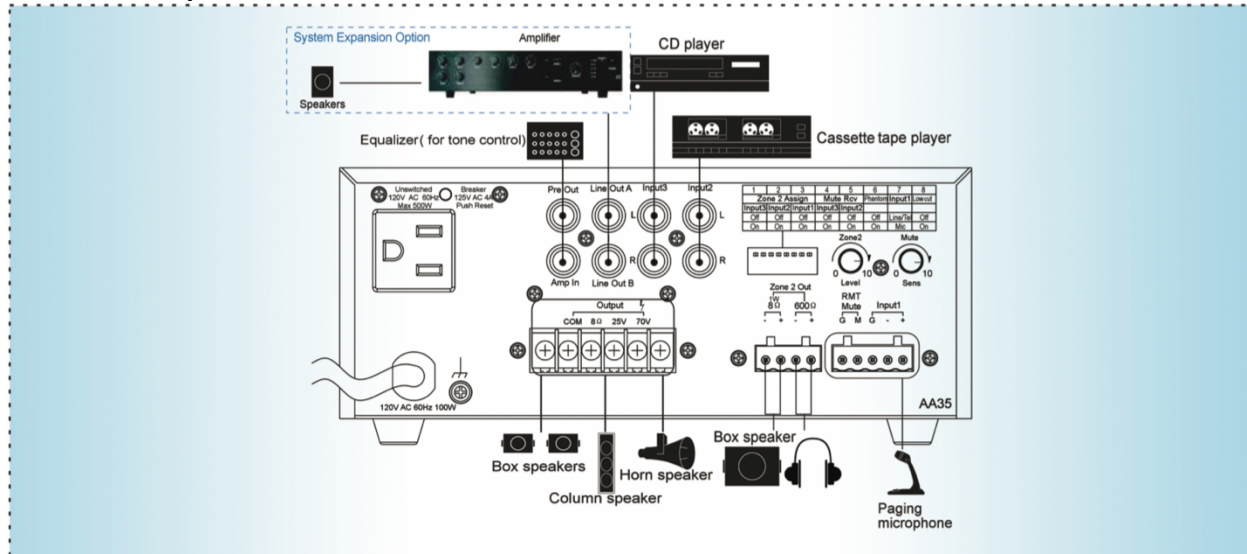
Operating Temperature: -10°C to +40°C

Color: Black

Dimensions (W*H*D): 210mm x 94mm x 276mm

Weight: 4.2kg / 4.63kg / 5.82kg

Connection Options:



Application:

In airports, stations, coffee shops, markets, schools, park, and other public places.